

COVER INSTALLATION GUIDE

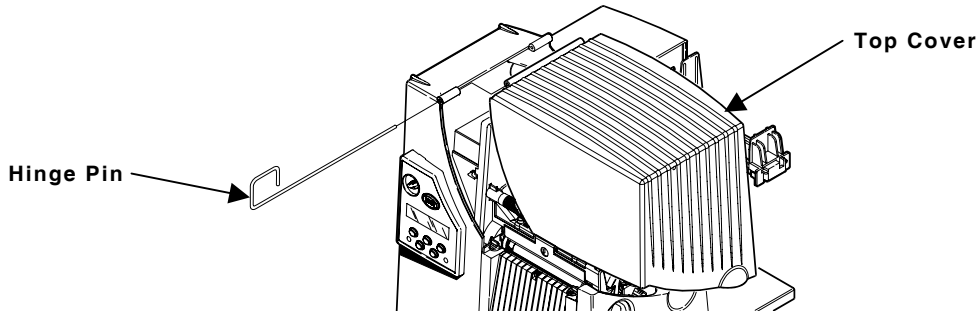
Your Monarch® 9825® or 9855® Cart-Ready printer has a removable top cover for easy ribbon and supply loading. Use these instructions to remove and replace the top cover. Refer to your printer's documentation for more information about ribbon and supply loading.

Note: Information in this document supercedes information in previous versions. Check our Web site (www.paxar.com) for the latest documentation and release information.

Removing the Top Cover

To remove the printer's top cover:

1. Turn the square end of the hinge pin up and pull out until it is completely removed.
2. Carefully remove the top cover from the printer and set aside.



Warning: Do not remove the cover unless the printer is installed on the second shelf of your Monarch™ Mobile Work Station.

3. Load supply or ribbon as needed and replace the top cover.

Replacing the Top Cover

To replace the printer's top cover:

1. Carefully lay the top cover in place.
2. Insert the hinge pin and push it all the way through, until the square end rests against the edge of the cover.
3. Turn the square end of the hinge pin down so it rests flat against the top cover to lock it in place. Your printer is now ready to use.

Monarch®, 9825®, and 9855® are trademarks of Paxar Americas, Inc.
Paxar® is a trademark of Paxar Corporation.
Avery Dennison® is a trademark of Avery Dennison Corp.

