

OPERATING INSTRUCTIONS

The Monarch® 9463™ AC power adapter is designed for the Monarch® Sierra Sport™ 2 9460™ portable printer. The power adapter is a power supply that plugs into any standard grounded electrical outlet, so you do not have to use a battery.

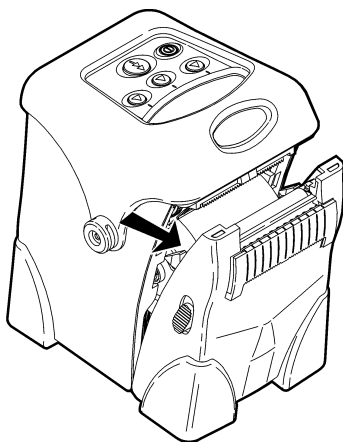
This option includes an adapter pack, a power adapter, a connector cable, and a power cord (in U.S. models only). The adapter pack is the same size as your battery, but it has an input for the connector in one end and weighs less than a battery.

These instructions explain how to install the adapter pack and connect the AC power adapter. It also lists the specifications.

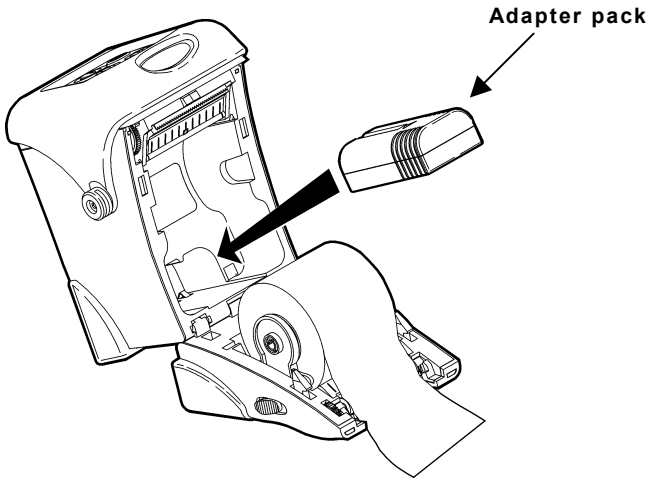
Installing the Adapter Pack

Before you can connect the power adapter to the printer, you must install the adapter pack inside the printer.

- 1.** Open the supply door by pushing down on the release buttons located on both sides of the printer. The supply door should swing open.



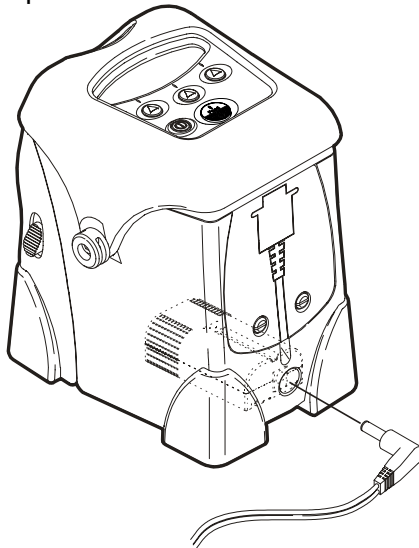
2. Insert the connector end of the adapter pack into the printer.



3. Close the supply door until it clicks into place.

Connecting the Power Adapter

1. Plug one end of the AC power adapter into the socket on the back of the printer.



2. Plug the other end into a grounded electrical outlet.

Specifications

Length:	5.7" (145 mm)
Width:	3.2" (82 mm)
Height:	2.36" (59 mm)
Weight: (power adapter)	1.31 lbs. (.59 kg)
Weight: (adapter pack)	0.09 lbs. (.04 kg)
Weight: (power cord)	0.37 lbs. (.17 kg)
Shipping Weight:	2.77 lbs. (1.25 kg)
Power:	Input: Universal 90V-264 VAC, 50/60 Hz Output: 8.0 VDC @5A
Operating Limits:	32° to 104°F (0° to 40°C) Storage: -40° to 104°F (-40° to 40°C)
Humidity:	95% non-condensing

