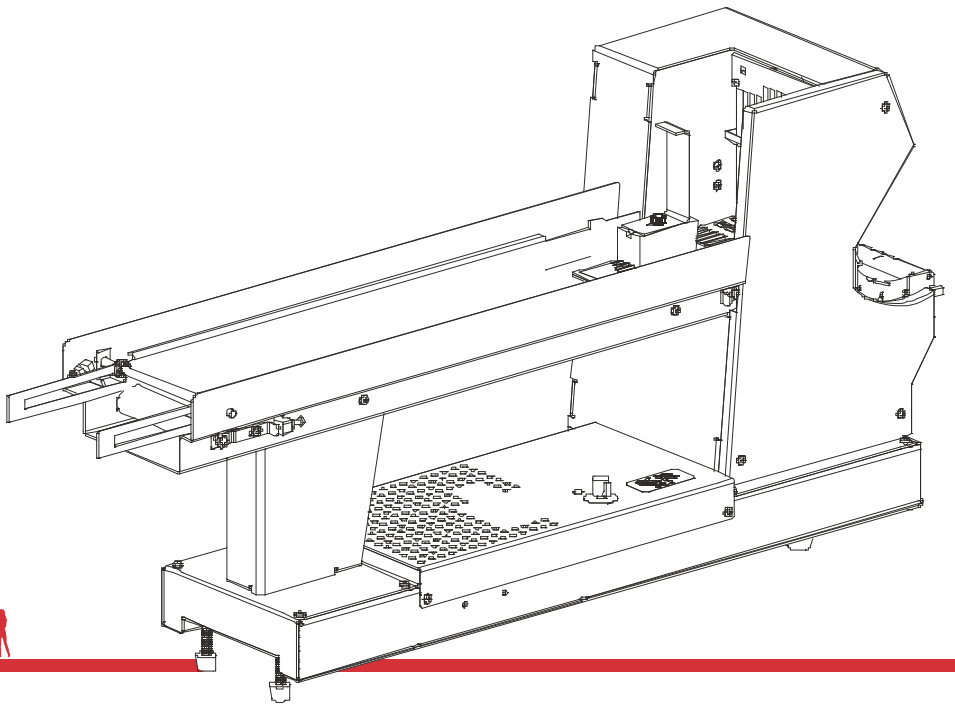


Operating Instructions

928™ STACKER



TC0928OI Rev. AK
02/2015



Retail Branding and
Information Solutions

©2004 Avery Dennison Corp. All rights reserved.

Each product and program carries a respective written warranty, the only warranty on which the customer can rely. Avery Dennison Corp. reserves the right to make changes in the product, the programs, and their availability at any time and without notice. Although Avery Dennison Corp. has made every effort to provide complete and accurate information in this manual, Avery Dennison Corp. shall not be liable for any omissions or inaccuracies. Any update will be incorporated in a later edition of this manual.

©2004 Avery Dennison Corp. All rights reserved. No part of this publication may be reproduced, transmitted, stored in a retrieval system, or translated into any language in any form by any means, without the prior written permission of Avery Dennison Corp.

WARNING

This equipment has been tested and found to comply with the limits for a Class A digital device, pursuant to Part 15 of the FCC Rules. These limits are designed to provide reasonable protection against harmful interference when the equipment is operated in a commercial environment. This equipment generates, uses, and can radiate radio frequency energy and, if not installed and used in accordance with the instruction manual, may cause harmful interference to radio communications. Operation of this equipment in a residential area is likely to cause harmful interference in which case the user will be required to correct the interference at his own expense.

CANADIAN D.O.C. WARNING

This digital apparatus does not exceed the Class A limits for radio noise emissions from digital apparatus set out in the Radio Interference Regulations of the Canadian Department of Communications.

Le présent appareil numérique n'émet pas de bruits radioélectriques dépassant les limites applicables aux appareils numériques de la classe A prescrites dans le Règlement sur le brouillage radioélectrique édicté par le ministère des Communications du Canada.

Trademarks

Monarch®, 926, 928, 938, and 9855® are registered trademarks of Avery Dennison Corporation.

Avery Dennison
170 Monarch Lane
Miamisburg, OH 45342



TABLE OF CONTENTS

GETTING STARTED	1-1
Unpacking the Stacker	1-1
Checking the Alignment	1-1
Using Four-inch Wide Tags	1-2
OPERATION AND ADJUSTMENTS	2-1
Making Tag Adjustments	2-1
Setting the Belt Movement	2-6
Adjusting the Belt Movement	2-7
Loading Supplies	2-7
Emptying the Stacker	2-8
Stacker Running	2-8
Stacker Full	2-8
Clearing a Tag Jam	2-9
TROUBLESHOOTING	3-1
SPECIFICATIONS	A-1
Stacker	A-1
Supplies	A-1
Minimum Stacked Tag Dimensions	A-1
RFID Supplies	A-1

GETTING STARTED

The Monarch® 928™ stacker can be used with a Monarch® 9855® printer/Monarch® 926™ knife combination or a Avery Dennison® Monarch® Tabletop Printer 1 (ADTP1)/Monarch® 933 Cutter combination.

Refer to the 928 *Installation Guide* to install the stacker with your printer.

The Monarch® 928™ RFID stacker can be used with the RFID models of the combinations listed above. The RFID stacker can only be used with RFID supplies; it includes this label:

**FOR RFID
SUPPLIES
ONLY**

Note: The non-RFID stacker cannot stack RFID supplies.
The RFID stacker cannot stack non-RFID supplies.

See “[Using RFID Supplies](#)” in Appendix A for more information.

Unpacking the Stacker

After you unpack the stacker, you should have:

- ◆ the 928 Installation Guide
- ◆ the 928 stacker
- ◆ power cord
- ◆ two screws
- ◆ mounting bracket
- ◆ weight assembly
- ◆ stacker support bracket (for ADTP1 only)
- ◆ stacker foot (for ADTP1 only)

Checking the Alignment

The stacker must be flat on a level surface. To check the alignment of the stacker:

1. Turn on the printer.
2. Print a batch of tags and check for nicked corners. Refer to your printer’s *Operator’s Handbook* for instructions.

Note: Nicked corners may occur on four-inch wide tags.

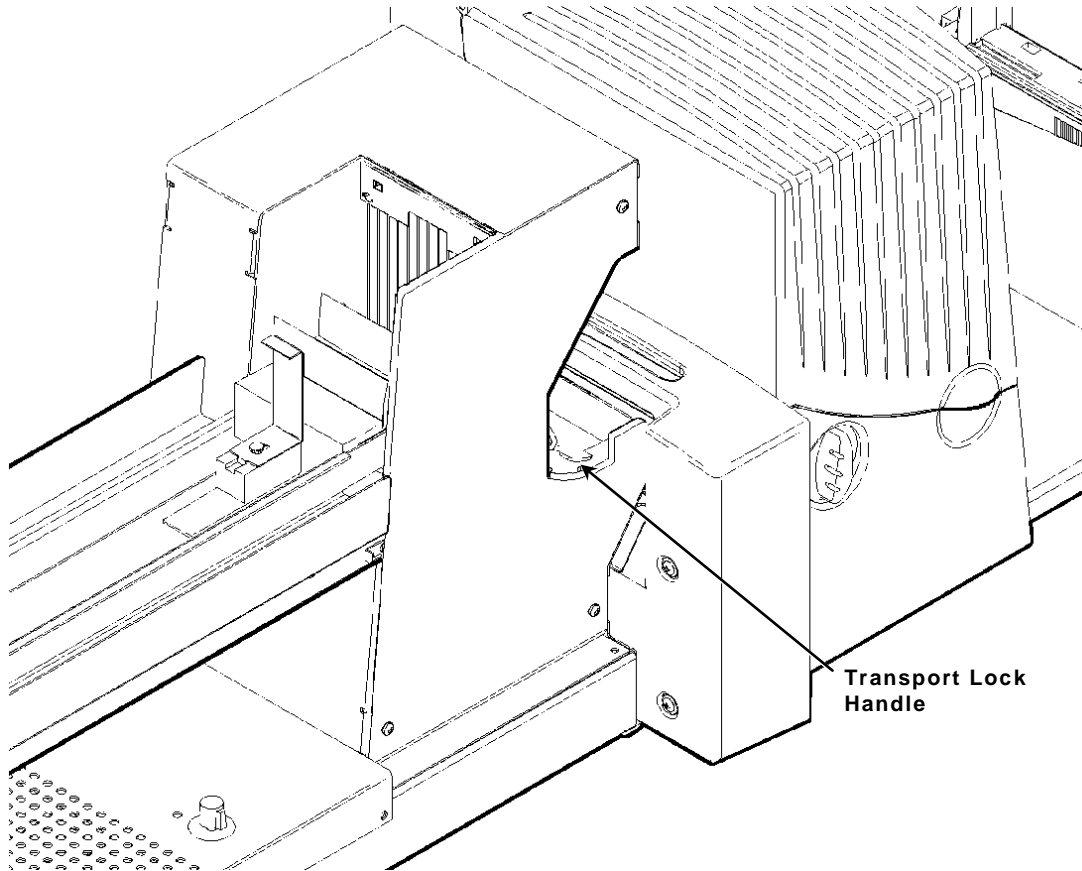
3. To adjust the stacker’s alignment, push the stacker slightly forward or backward along the mounting plate.
4. Print another batch of tags and realign if necessary.
5. Make sure the stacker’s feet are flat on a level surface. You can raise or lower the feet by turning them. Turn the nut to lock the feet in place.

You are now ready to print tags and make adjustments to the stacker. See Chapter 2, “[Operation and Adjustments](#)”, for more information.

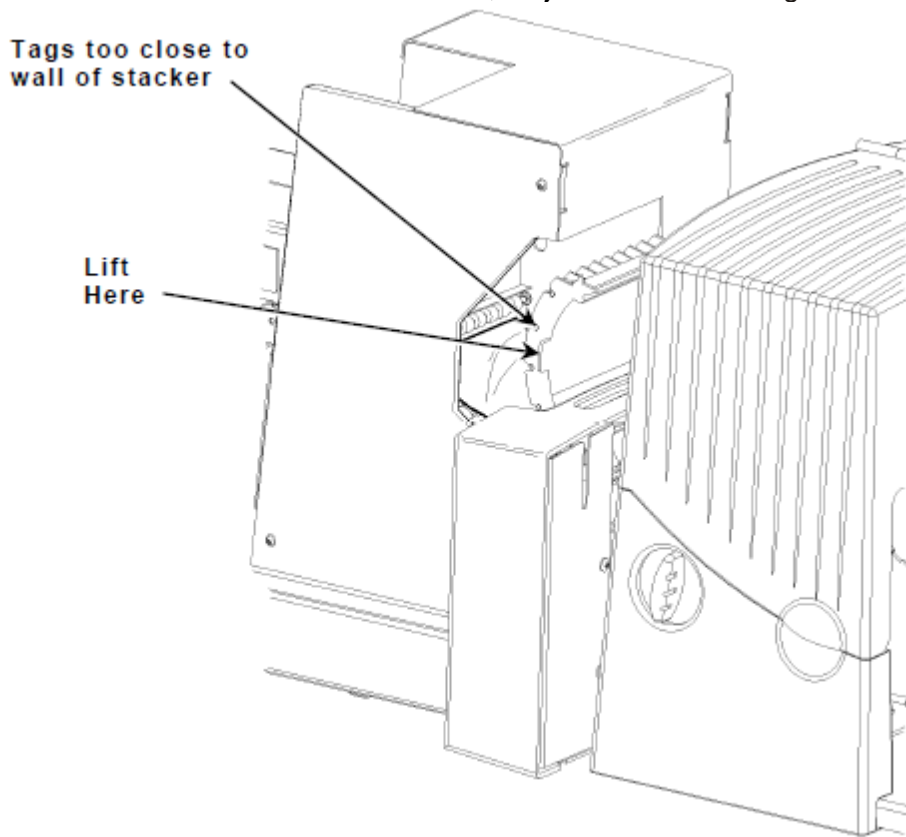
Using Four-inch Wide Tags

For four-inch wide tags, nicked corners may occur. You can minimize nicked corners by aligning the knife and stacker properly with the printer.

1. Feed a batch of tags through the knife, cutting the supply. Check the tags in the stacker for nicked corners.
2. Open the supply transport by turning the transport lock handle up halfway and pulling it completely out.



3. Use the tab to lift the transport and see where the tags are inside the stacker. If the tags are too close to either wall of the stacker, adjust the knife alignment.



4. Loosen the three thumbscrews connecting the knife to the printer.
5. Push the knife toward the printer until the knife does not pivot or rotate.
6. Slide the knife to the left or right to center the tags inside the stacker.
7. Tighten the three thumbscrews.
8. Feed another batch of tags through the knife and repeat steps 1-8 if necessary.

OPERATION AND ADJUSTMENTS

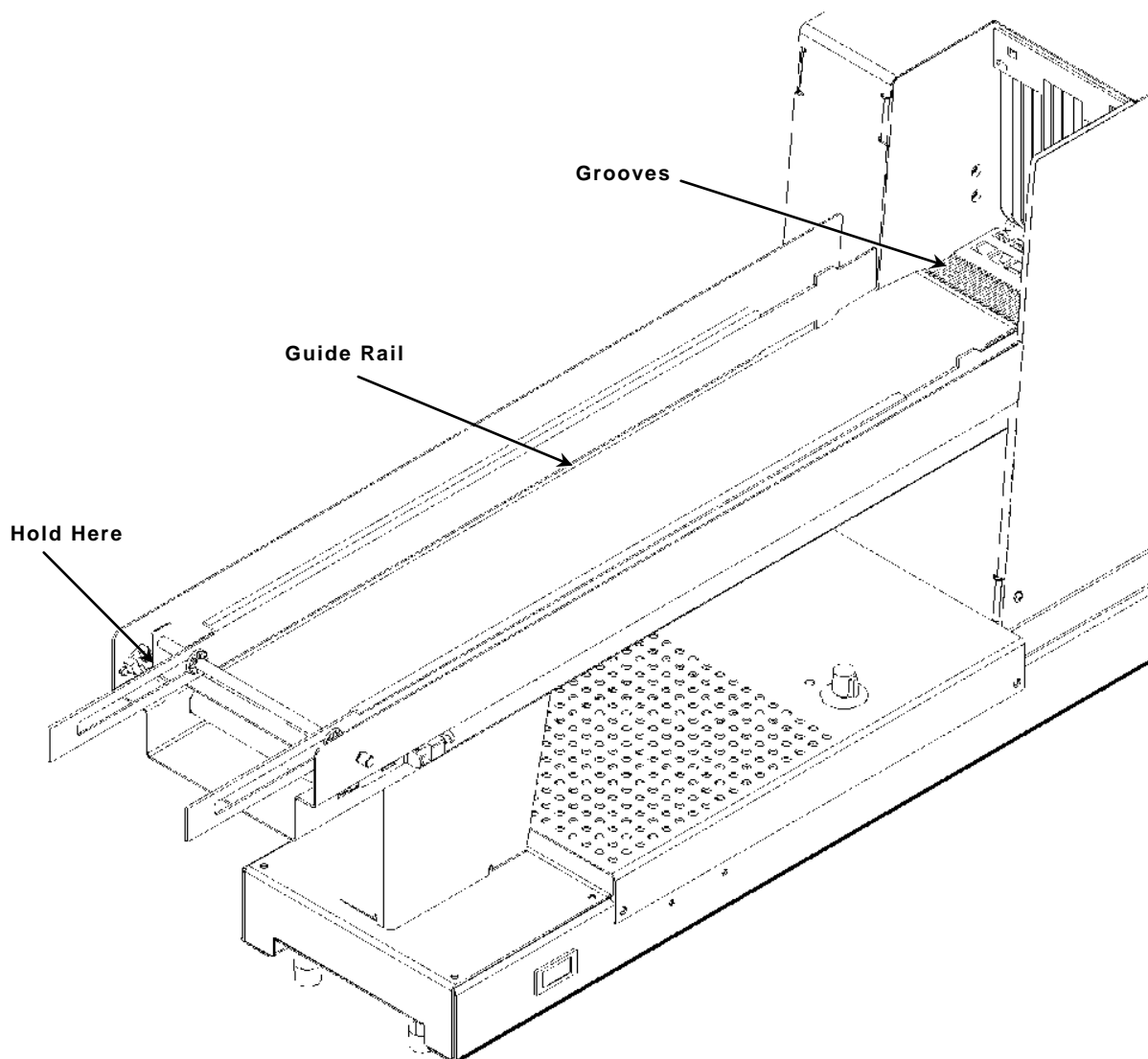
This chapter describes how to

- ◆ make tag adjustments
- ◆ adjust the belt movement
- ◆ clear a tag jam
- ◆ print label strips.

Making Tag Adjustments

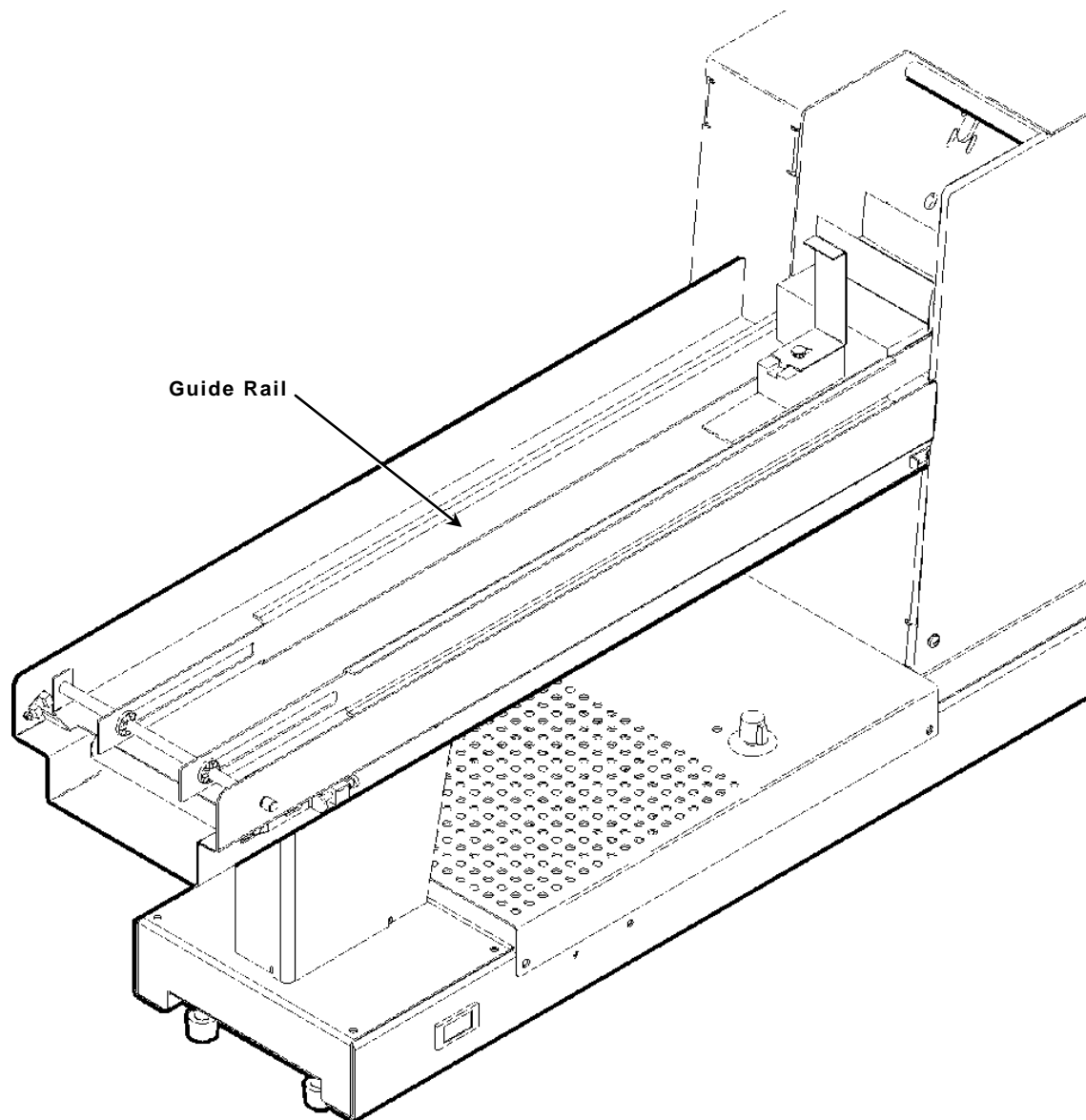
You must adjust the stacker for the width of your tags at the initial stacker setup and whenever you change tag widths.

1. Feed a batch of tags through the knife, cutting the supply. Check the tags in the stacker for proper stacking or nicked corners.



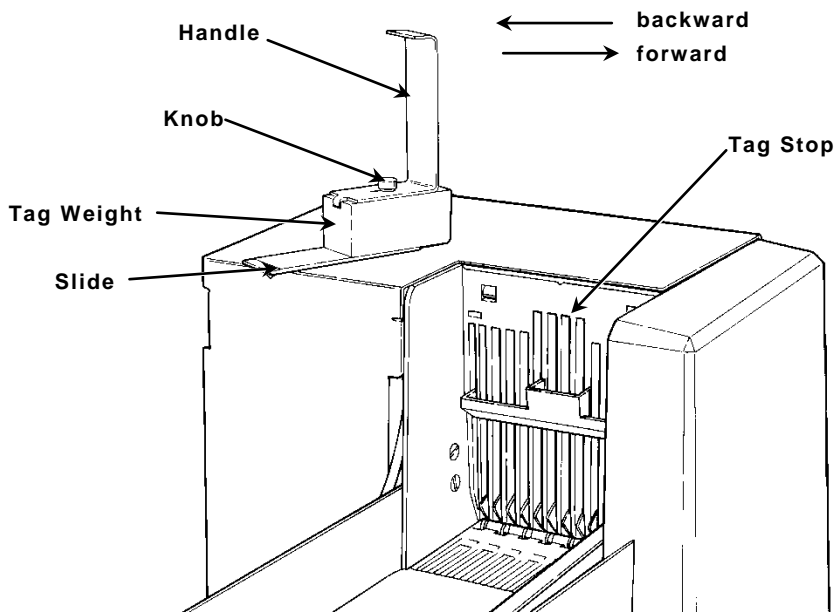
2. Pull the guide rails (using the end by the bar) out of the grooves at the bottom of the tray.

Note: Use two hands to move the guide rails and hold the rails on the ends by the bar.



3. Move the guide rails to the sides of the tray.

4. Unlock the tag weight handle by turning the knob counterclockwise.

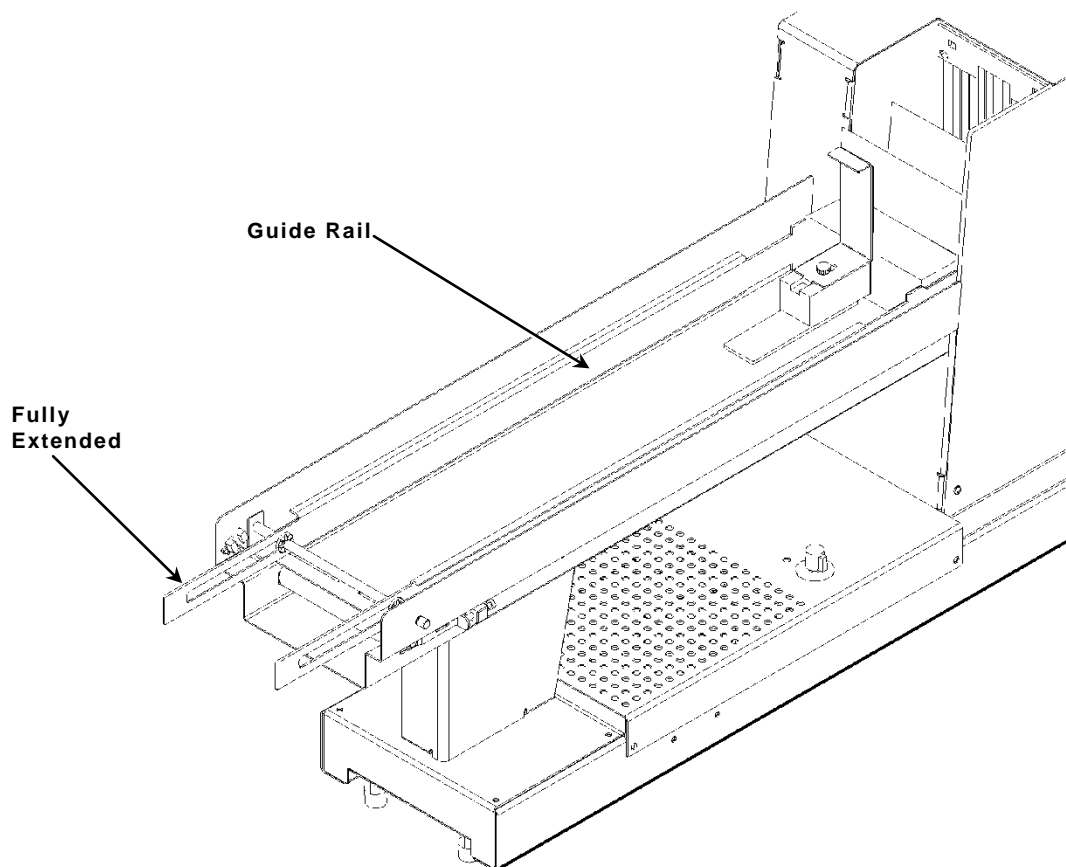


5. Push the handle all the way backward for tags 1.6 inch or shorter; forward for tags 1.6 inch or higher.
6. Tighten the knob.
7. Place the tag weight against the tag stop.
8. Print a test batch of 50 tags or 25 RFID tags. Refer to your printer's *Operator's Handbook* for instructions.
9. Move the tag weight out of the way.
10. Adjust the guide rails to match the width of your tags by moving the guides against the tags.

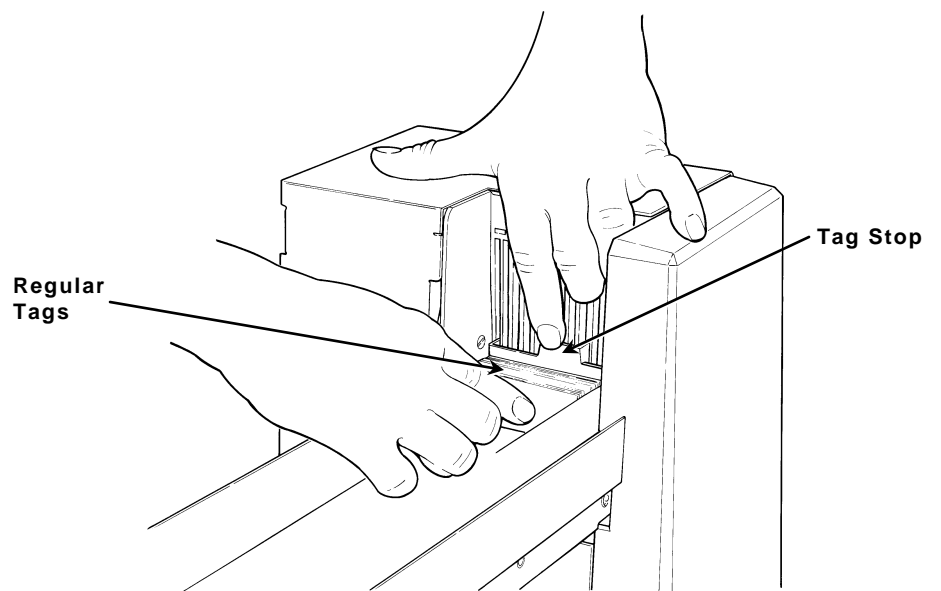
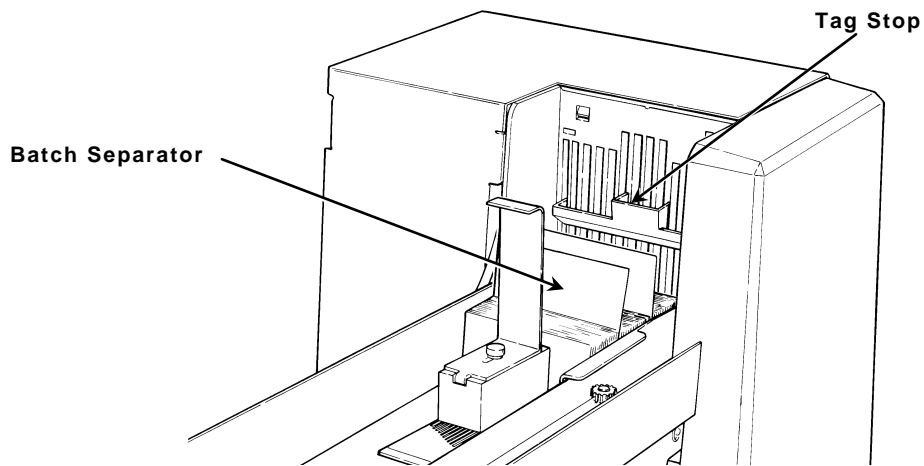
Note: Use two hands to move the guide rails and hold the rails on the ends by the bar.

11. Slide the guide rails into the grooves closest to the tags, except for four-inch wide tags. Make sure the guide rails are all the way forward.

For four-inch wide tags, the guide rails should be fully extended and not in the grooves.



12. Adjust the tag stop to the tag length by moving it up or down.



Note: Adjust the tag stop to the length of the regular tags, not the batch separators.

13. Place the tag weight against the tags. If you are printing chadless tags, move the weight to the solid side of the tags.

14. Set the belt movement. See "[Setting the Belt Movement.](#)"

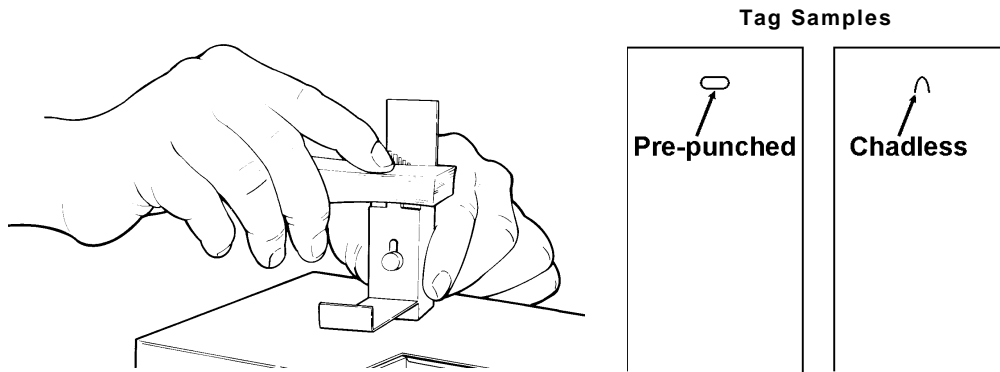
Setting the Belt Movement

You need to set the belt movement when you first get the stacker and when you switch to supplies with a different thickness.

To set the belt movement:

1. Print a test batch of 50 tags or 25 RFID tags. Refer to your printer's *Operator's Handbook* for instructions.
2. Move the tag weight away and remove the tags.
3. Stack the tags in your hand.
4. Hold the stack against the gauge on the tag weight. If you are using pre-punched supplies, **do not** hold the pre-punched end of the stack against the gauge.

The bar closest to the top of the stack is the number for the belt adjustment.



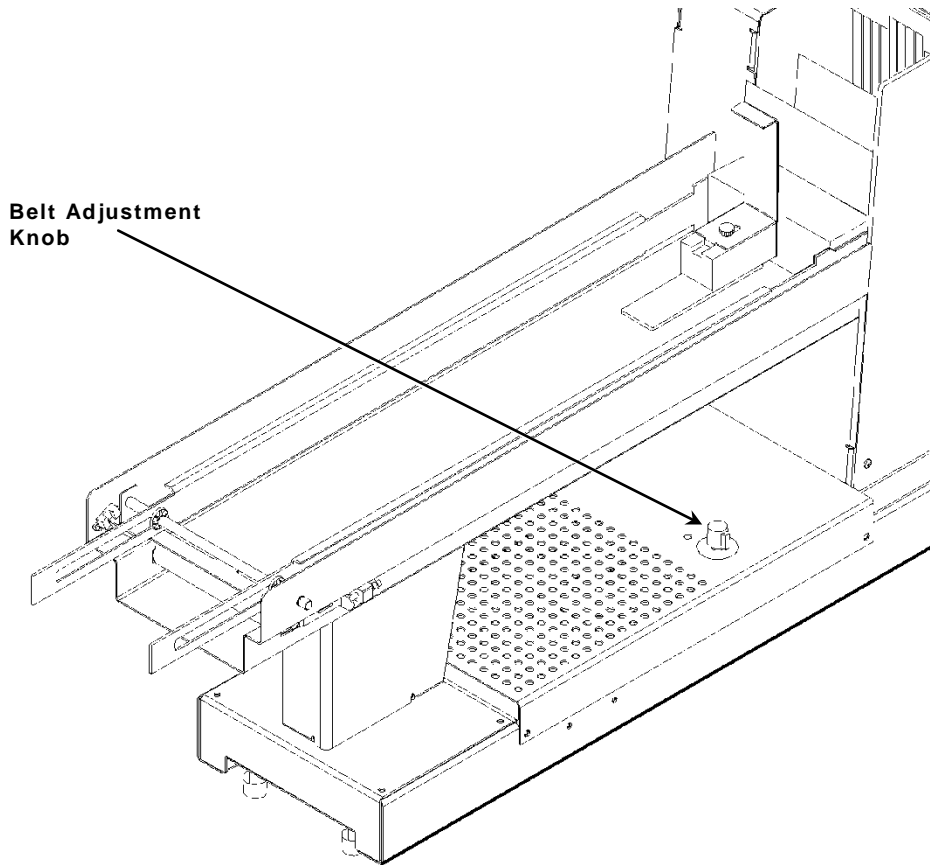
5. Turn the belt adjustment knob to the number from the stack measurement.
6. The stacker is now ready.

Note: If the tags are stacked too loosely or too tightly, see "[Adjusting the Belt Movement](#)".

Adjusting the Belt Movement

You need to adjust the belt movement if the tags are stacked too loosely or too tightly. When you see a stacking problem:

1. Press **Pause** to pause printing.
2. Empty the tray.
3. If the tags are too loose, turn the belt adjustment knob to the next lower setting.



4. If the tags are too tight or fan out, turn the belt adjustment knob to the next higher setting.
5. Print a test batch of 50 tags or 25 RFID tags. Refer to your printer's *Operator's Handbook* for instructions.

Loading Supplies

If you run out of supplies while printing, the printer shows 756 on the display.

1. Press **Feed** to feed the last tag into the stacker.
2. Load a new roll of supplies. Refer to the printer's *Operator's Handbook* for instructions.

Note: If you are switching to a different supply, you need to reset the belt movement. See "[Setting the Belt Movement.](#)"

3. Press **Clear** to clear the error.
4. Press **Feed** (once or several times, depending on the tag's length) to feed a tag through the knife and into the stacker.
5. Print a batch of tags.

Emptying the Stacker

You can empty the stacker while it is running, or wait until it is full.

Stacker Running

For continuous operation, empty the stacker tray before it is full.

When the tray is about half full:

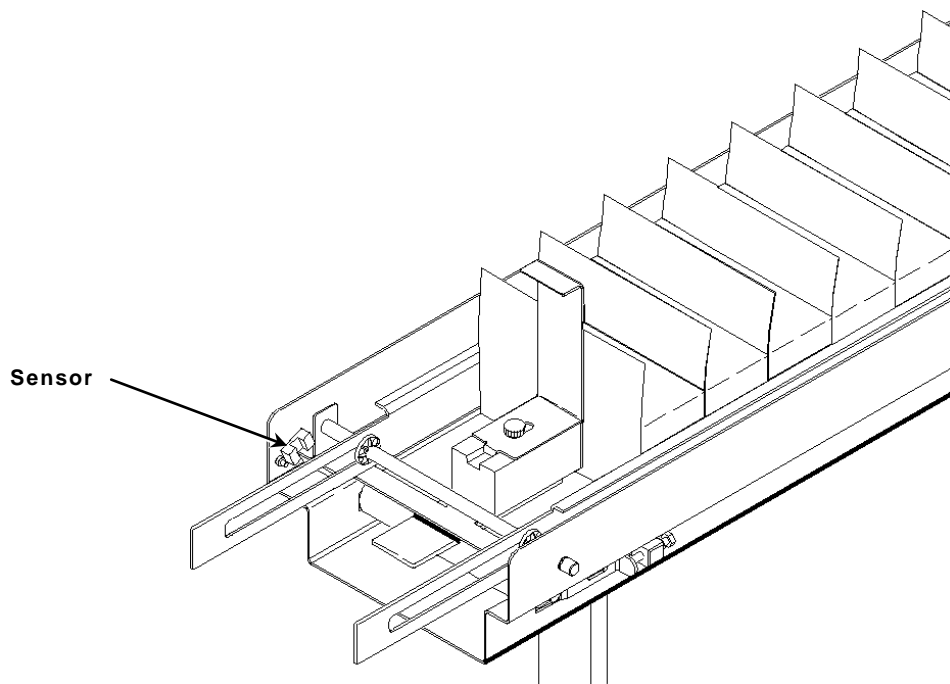
1. Pick up some of the tags in front of the tag weight.

Note: If you have batch separators, keep all the tags in each batch together.

2. Move the tag weight lightly against the stack. Do not push or compress the stack.
3. Continue to remove tags as the tray reaches half full.

Stacker Full

When the stacker is full, a sensor at the end of the tray stops the printer.



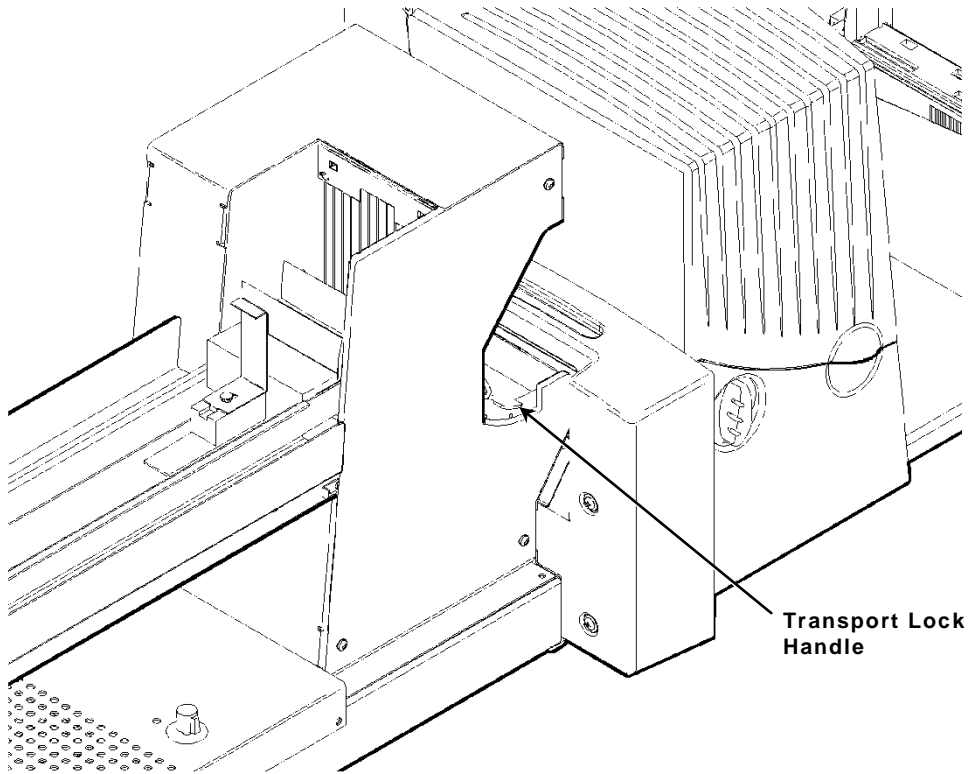
The printer shows 761 on the display.

1. Empty the stacker tray.
2. Press **Clear** to clear the error.
3. Print a batch of tags.

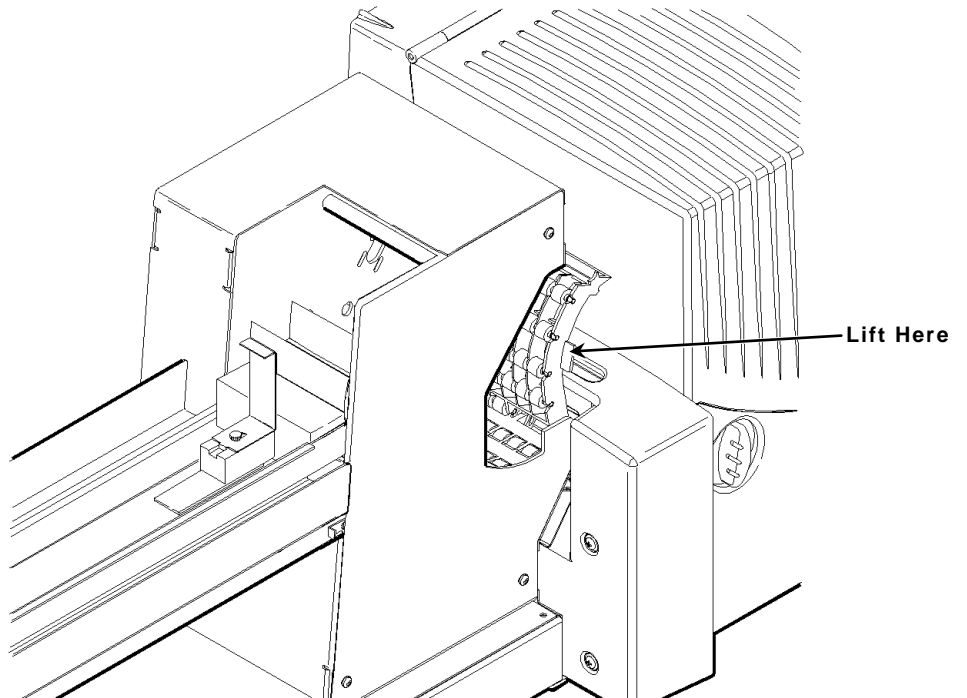
Clearing a Tag Jam

If a tag jams inside the stacker, the printer automatically stops. The printer shows 761 on the display.

1. Check to see if the guide rails and tag stop are set for the width and length of the tag.
2. Turn the transport lock handle up halfway and pull it completely out.



3. Use the tab to lift the transport. Check for tags.
4. Remove the tags.
5. Lower the transport.
6. Replace the transport lock handle. Make sure it is completely in the hole at the back of the stacker. Turn the handle down.
7. Press Clear to clear the error, and print a batch of tags.



TROUBLESHOOTING

This section helps you correct some problems that may occur.

Problem	Action
Stacker Full	Empty the tray. Press Clear to clear the error and resume printing. The stacker may not be plugged into an outlet. Verify the power connection.
Stacker Jam	Clear the jam. Press Clear to clear the error and resume printing. If the jam is not inside the stacker, check inside the knife or printer.
Stacker does not work.	Make sure the stacker is plugged into an outlet and is fully connected to the printer.
Tags are stacked loosely.	Empty the tray. Turn the adjustment knob to a lower setting. Adjust the guide rails and tag stop to the width and length of the tags.
Tags are stacked too tightly.	Empty the tray. Turn the adjustment knob to a higher setting.
Tags are not stacking neatly.	Adjust the guide rails and tag stop to the width and length of the tags.
Tags rub against the side guide rails.	The guide rails are too close to the tag. Adjust the guide rails. Make sure the printer is aligned evenly with the stacker.
The guide rails will not stay in place.	Make sure the guide rails are in the grooves at the bottom of the tray.

If you cannot fix a problem, call Service.

SPECIFICATIONS

A

Stacker

Height:	14.4 inches (366 mm)
Width:	7.9 inches (201 mm)
Length:	29.6 inches long (752 mm)
Tag Bed:	23.5 inches long (597 mm)
Weight:	18 lbs. (8.2 kg)
Shipping Weight:	30 lb. (13.6 kg)
Power:	115 Vac, 60Hz, 100 Vac, 50/60 Hz, 230 Vac, 50Hz
Operating Limits:	For Thermal Transfer (ribbon) 40° to 95° F (4° to 35° C) For Thermal Direct 40° to 104° F (4° to 40° C)
Storage Limits:	15° to 120° F (-9° to 49° C)
Humidity:	Operating and Storage 5% to 90% non-condensing
Stacking Capacity:	2,000 tags .010 inches (.25 mm) thick

Supplies

Thickness:	.007 inches (.18 mm) minimum .010 inches (.25 mm) maximum
Widths:	1.2 inch (30 mm) minimum 4.0 inches (102 mm) maximum
Lengths:	1.2 inches (30 mm) minimum 3.66 inches (93 mm) maximum

Minimum Stacked Tag Dimensions

tag printed width wise:	1.63 inches by 1.2 inches (41 mm by 30 mm)
tag printed length wise:	1.2 inches by 1.57 inches (30 mm by 40 mm)

RFID Supplies

These specifications apply when stacking RFID tag supplies.

Length:	1.5 inches (38.1 mm)
Width:	3.25 inches (82.5 mm)
Thickness with inlay:	0.020 to 0.024 inches (0.51 to 0.61 mm)
Thickness without inlay:	0.010 to 0.014 inches (0.25 to 0.35 mm)
Stacking Capacity:	500 tags (unattended) 1000 tags (attended; may require manually stack adjustment)

Avery Dennison
170 Monarch Lane
Miamisburg, OH 45342

1-800-543-6650 U.S.A
1-800-367-4740 Canada
www.monarch.averydennison.com

