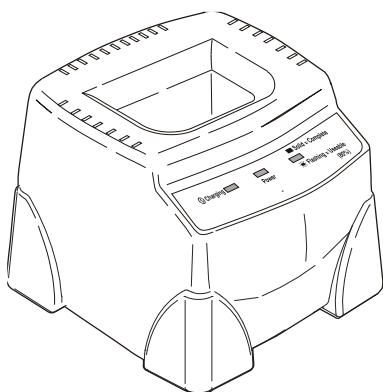


OPERATING INSTRUCTIONS

The Monarch® 9462™ Single-Station Battery Charger charges one 7.4V lithium-ion battery at a time for the following printers:

- ◆ Monarch® Pathfinder® Ultra® *Silver* 6032™
- ◆ Monarch® Pathfinder® Ultra® *Platinum* 6039™
- ◆ Pathfinder® 6057
- ◆ Pathfinder® 6140
- ◆ Monarch® 9485 Portable Printer



Note: You must charge a battery before using it.

Information in this document supercedes information in previous versions. Check our Web site (www.monarch.averydennison.com) for the latest documentation and release information.

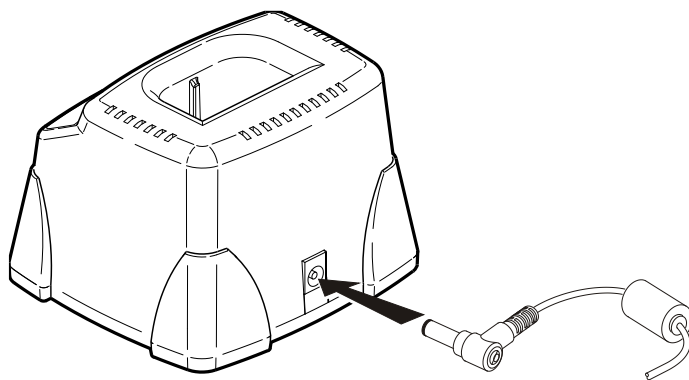
WARNINGS

- ◆ Use only a Monarch-qualified battery. The battery could be damaged or explode if placed on a different charger.
- ◆ Do not charge non-rechargeable batteries in this charger.
- ◆ Do not throw the battery in the trash. Dispose according to your local regulations.
- ◆ Do not disassemble, short-circuit, heat above 80°C, or incinerate the battery. It may explode.
- ◆ Follow the operating and storage limit specifications listed at the end of these instructions. Otherwise, the battery may permanently lose its charge capacity.
- ◆ The unit is for use only with Listed ITE.

Setting Up the Equipment

To set up the equipment:

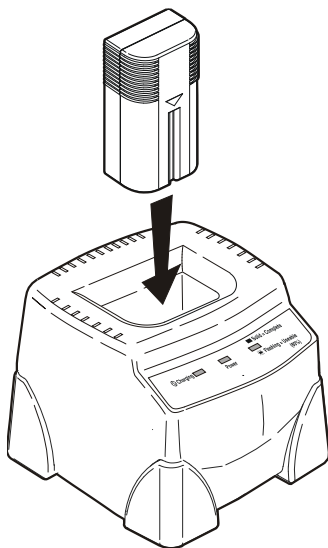
1. Plug one end of the power supply into a wall electrical outlet.
2. Plug the other end of the power supply into the back of the charger.



The Power LED is on when the charger is set up and plugged in.

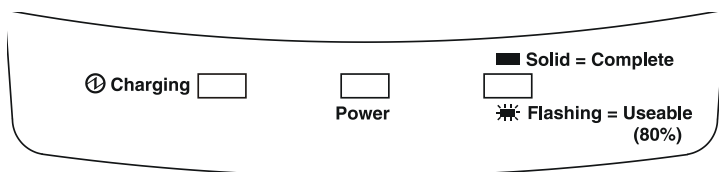
Charging the Battery

To charge the battery, insert the battery into the charger, with the ribbed end sticking out. Charging time can take up to three hours. It takes approximately 2 hours to reach the 80% level (where it is now usable). To reach 100%, it takes approximately 1 hour more.



Reading the Display

- ◆ Power LED – on (solid). Charger is plugged in.
- ◆ Charging LED – flashes when you insert the battery; on (solid) during charging; off when charging is complete.
- ◆ Complete LED – flashes when the battery is 80% charged; on (solid) when the battery is 100% charged.



Troubleshooting

When an error occurs, the Charging and Complete LEDs blink together. In this case, repeat the charging process. If the error still occurs, repeat the process with a new battery. If there is still a problem after the second repeat charge, call Service.

In between charges, remove the battery, wait for the LEDs to stop flashing, then re-insert the battery.

Specifications

Operating Limits:

Temperature	32°F to 104°F (0°C to 40°C)
Humidity	5% to 90% non-condensing

Storage Limits:

Temperature	-40°F to 158°F (-40°C to 70°C)
Humidity	5% to 90% non-condensing

Charger

Length:	3" (76.2 mm)
Width:	3.25" (82.55 mm)
Height:	3" (76.2 mm)
Input:	12 to 16 VDC/14W
Shipping Weight:	1.16 lbs. (.53 kg)

Power Supply

Input:	Universal switching power supply, 90 to 264 VAC, 50/60 Hz.
Output:	12 VDC/15W max

Visit our Web site for sales, service, supplies, information, and telephone numbers for our locations throughout the world.

Toll Free:

1-800-543-6650 (In the U.S.A.)

1-800-387-4740 (In Canada)