

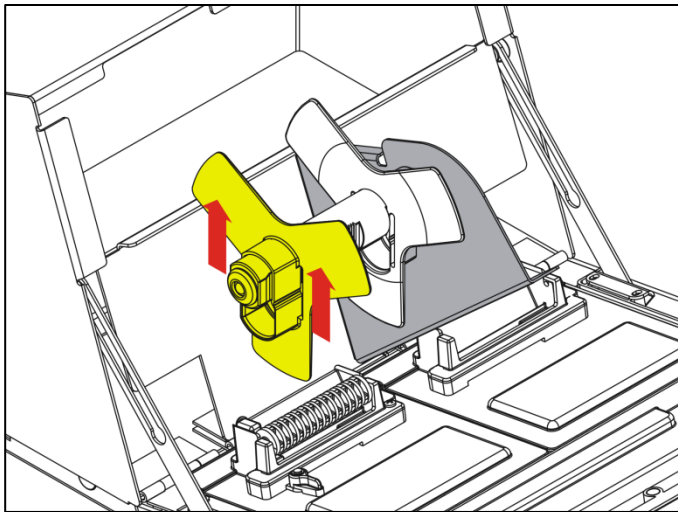
VIEWABLE DOCUMENT GUIDELINES

- ◆ Use a page size of 5.5 inches wide by 3.5 inches tall.
- ◆ Fonts appear best no smaller than 8 point size.
- ◆ Use a basic typeface such as Arial® or Times New Roman®.
- ◆ We do not recommend scaling larger page sizes to fit the 9417+ screen since fonts may not appear legibly.

- ◆ When using a filled / shaded background, lighter colors appear better. **A bold typeface increases readability.**

- ◆ If using a dark filled / shaded background, use a bold typeface with a contrasting font color.


- ◆ Use simple images/photos. Do not place text over images.



- ◆ Do not use a photograph as a background fill because the text may be hard to read, as shown below:



1. Clear the prep area.
2. Prepare the vegetables.

- 
- ◆ This background makes text hard to read!