

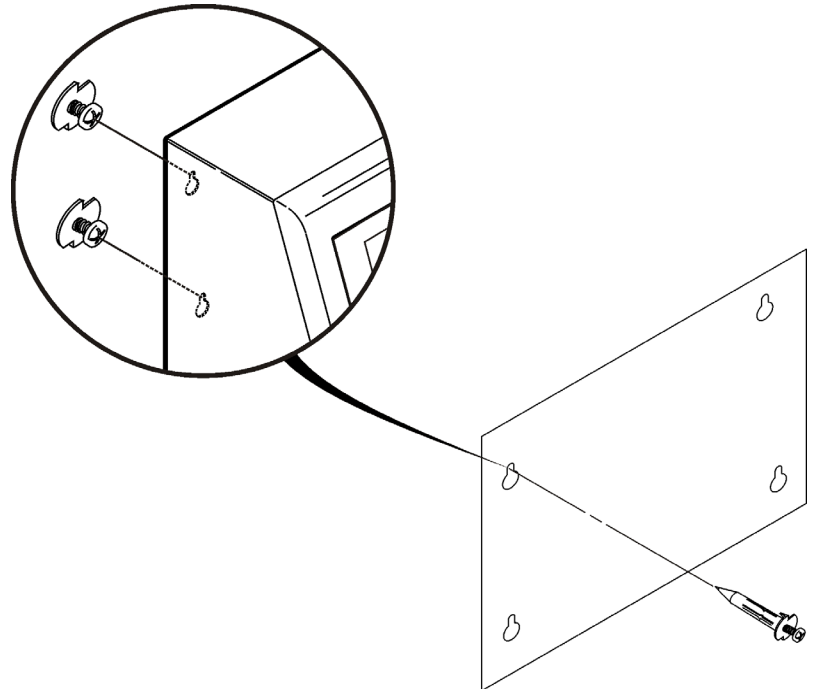
9418 WALL MOUNTING INSTALLATION GUIDE

Use these instructions and the template to mount your 9418 printer on the wall.

- Mount the printer away from high humidity areas and places where the printer can get wet. Moisture can damage the printer's exterior as well as interior electronics.

Using the Template

1. Select a suitable location for the printer on a wall.
 2. Tape the wall mount template to the wall in the selected location.
- Note:** The template must be level or the printer will not install correctly.
3. Install four wall anchors (not included, see below) according to the four outside holes indicated on the template.
 4. Remove the template.
 5. Lower the front cover on the printer so you can see the mounting holes on the back of the printer.
 6. Attach the printer to the wall anchors using the corresponding holes on the back of the printer.
 7. Press down firmly on the printer to lock it in place.
 8. Close the cover.



Mounting holes in back of printer

Wall Mounting Hardware

Wall mounting hardware is not included. You must use hardware designed for your type of installation.

- ◆ Bolt shaft diameter can be no larger than 5mm.
- ◆ Bolt head diameter must be between 5mm - 11.9mm.
- ◆ Hardware must be rated to support the weight of your printer. Maximum printer weight is approximately 15.5 lbs (dual printer model with two new rolls of supply).

NOTES:

1. Print template on 17" x 11" paper.
2. Do not resize; template is to scale.
3. Measurements are in Millimeters.
4. Use this template with manual TC9418IG.

